



Contact us

E-mail : [os@rfsystemlab.com](mailto:os@rfsystemlab.com)

# naomi-CT Dental Add-On

**NINJA Price** **\$1,900**

\*One price with no discount and no bargaining (straight game)  
\*Shipping is not included.



## ■ Portable x-ray with flexible arm

The flexible arm enables you to position the x-ray to the patient, without asking him/her to move even after taking CT scan or panoramic x-rays.



Dental x-rays

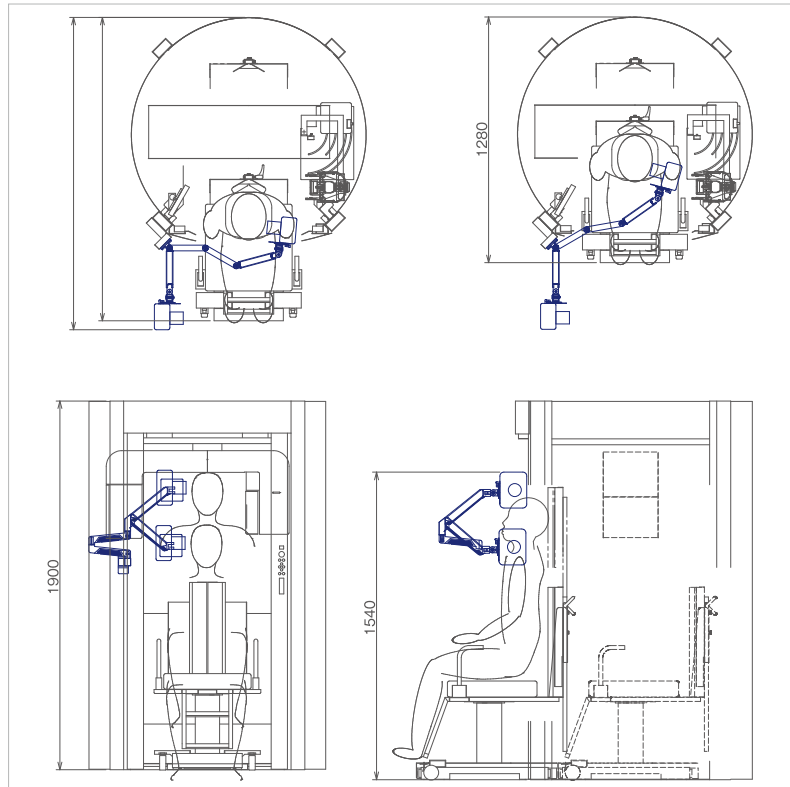


Portable x-ray

## naomi-CT series Dental Add-On Type

Width 1,220 mm  
Depth 1,580 mm  
Height 1,900 mm

\*The arm bracket can be attached both on the left or right side.



X-ray	Tube voltage: 60 kV (Fixed)
	Tube current: 2 mA (Fixed)
Tube	Anode type: Fixed
	Target angle: 20 degrees
	Focal size: 0.8 mm
	Heat capacity 8.5 khu
Exposure time	0.01 - 1.6 sec (By 0.01 sec.)
Total iteration	1.6 mm Al or higher
Weight	2.0 kg
Diensions	W180 × D145 × H138 mm (Portable x-ray generator part)



Contact us

E-mail : [os@rfsystemlab.com](mailto:os@rfsystemlab.com)

# naomi-CT Cephalometric Add-On

**NINJA Price** **\$1,600**

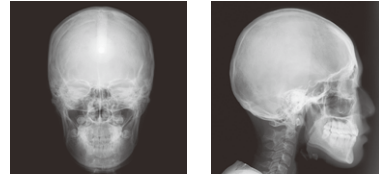
\*One price with no discount and no bargaining (straight game)  
\*Shipping is not included.

## ■ For AP, lateral, and carpal bones

Unlike a scanning method with a line sensor, it captures the x-ray in one shot in 1.5 sec. Using the same NAOMI sensor, widely used in medical field.



Cephalometric images

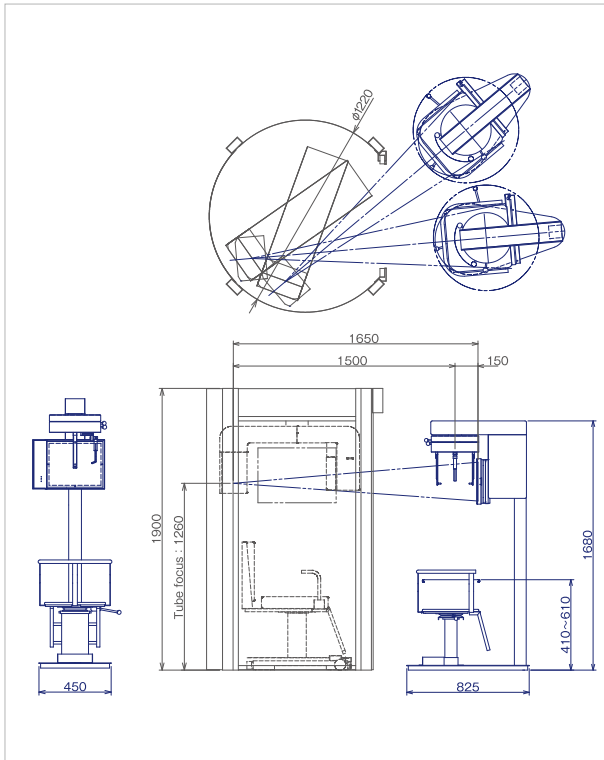


AP

lateral

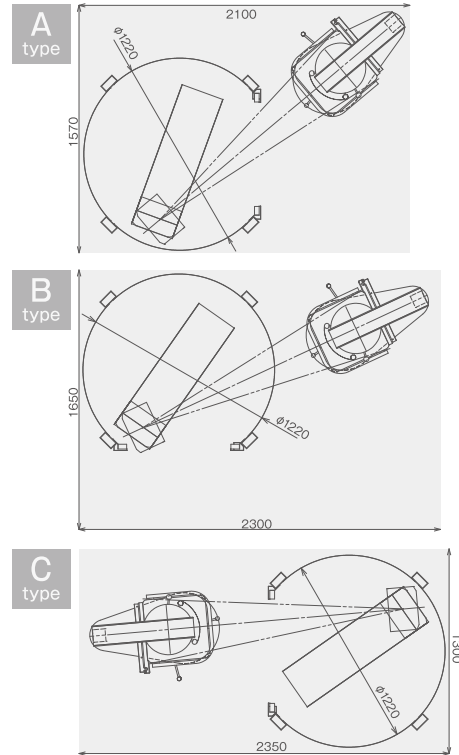
## naomi-CT series Cephalometric Add-On Type

Width 1,220 mm x Depth 2,100 mm x height 1,900 mm (min)



## Installation example

\*Contact us for details, to meet your environment



Imaging size	Lateral : 324 × 261 mm
	AP : 324 × 261 mm
	Carpal bones : 324 × 261 mm
Resolution	Lateral : 3,240 × 2,610 pixels (254dpi)
	AP : 3,240 × 2,610 pixels (254dpi)
	Carpal bones : 3,240 × 2,610 pixels (254dpi)
Pixel pitch	0.1 × 0.1 mm
Spatial resolution	4.0 lp/mm
Soft tissue filter	Attached
Acquisition time	0.2 - 2.0 sec.
Image magnification	x 1.1 (Carpal bones at x 1.01)
Grayscale	12 bits
Weight	72 kgs
Dimensions	W450 × D825 × H1,680 mm (Cephalometric part)
Power	AC 100-240V



Contact us E-mail : [os@rfsystemlab.com](mailto:os@rfsystemlab.com)

# naomi-CT No X-ray Room Lead-shielded BOX

**Instant X-Ray Room**

No construction of special room

Ninja's CBCT fits anywhere!




# **NINJA Price** \$10,000

\*One price with no discount and no bargaining (straight game)  
\*Shipping is not included.

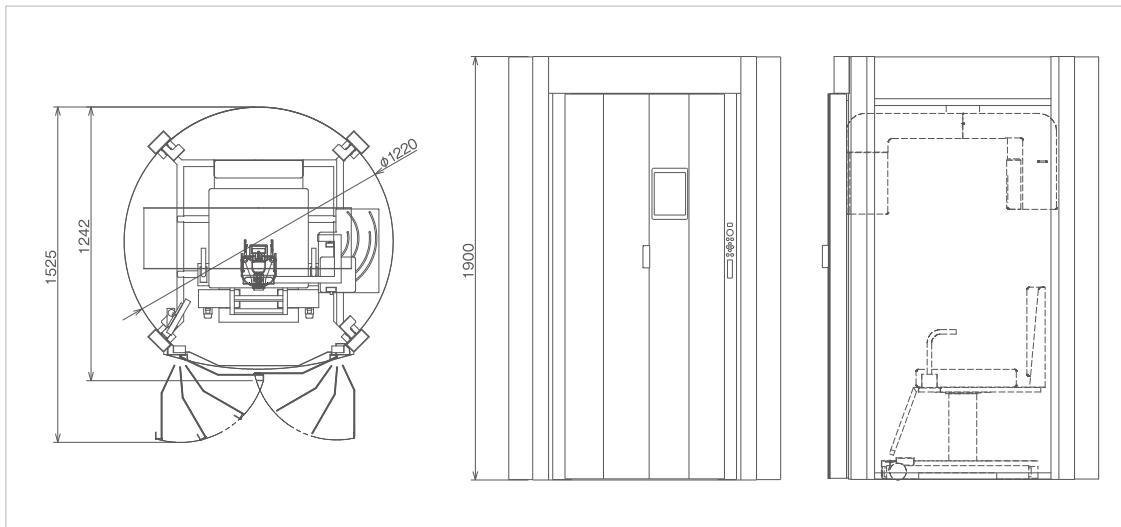
**No special lead room.  
Fits into any space in your clinic.**

Applicable with CT, Panoramic, and CT-Pano models.

BOX type CBCT contains lead shield, eliminating the needs for designated X-Ray room. You can install this anywhere, and enjoy your office space management.

## naomi-CT series **No X-ray Room Lead-shielded BOX Type**

width 1,220mm x Diphth 1,525mm x Height 1,900mm



Weight	250 kgs
Dimensions	W1,220 × D1,525 × H1,900 mm