



Contact us

E-mail : [os@rfsystemlab.com](mailto:os@rfsystemlab.com)

# naomi-CT Cephalometric Add-On

**NINJA Price** **\$1,600**

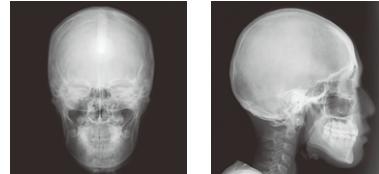
\*One price with no discount and no bargaining (straight game)  
\*Shipping is not included.

## ■ For AP, lateral, and carpal bones

Unlike a scanning method with a line sensor, it captures the x-ray in one shot in 1.5 sec. Using the same NAOMI sensor, widely used in medical field.



Cephalometric images

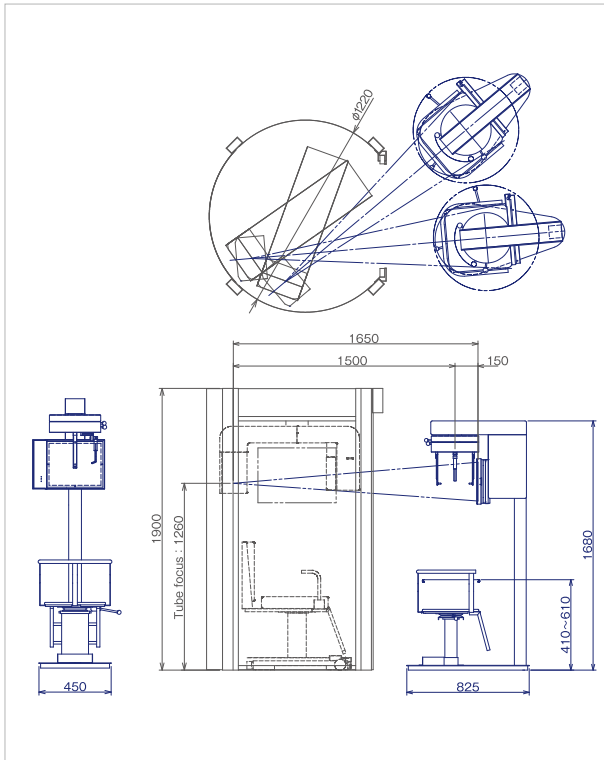


AP

lateral

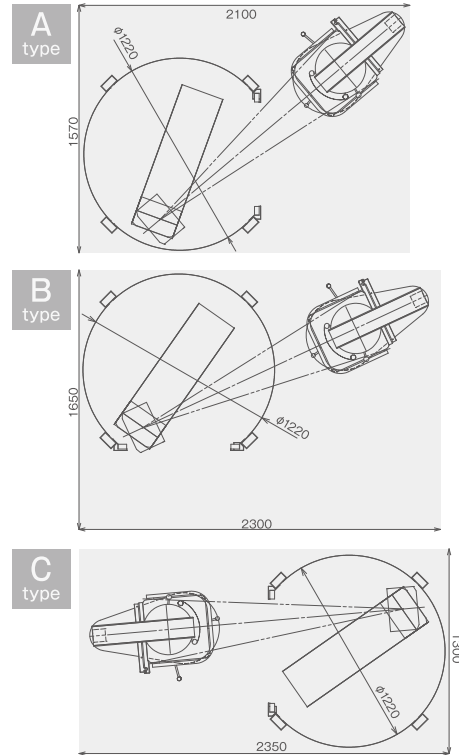
## naomi-CT series Cephalometric Add-On Type

Width 1,220 mm x Depth 2,100 mm x height 1,900 mm (min)



## Installation example

\*Contact us for details, to meet your environment



|                     |  |
|---------------------|--|
| Imaging size        | Lateral : 324 × 261 mm                       |
|                     | AP : 324 × 261 mm                            |
|                     | Carpal bones : 324 × 261 mm                  |
| Resolution          | Lateral : 3,240 × 2,610 pixels (254dpi)      |
|                     | AP : 3,240 × 2,610 pixels (254dpi)           |
|                     | Carpal bones : 3,240 × 2,610 pixels (254dpi) |
| Pixel pitch         | 0.1 × 0.1 mm                                 |
| Spatial resolution  | 4.0 lp/mm                                    |
| Soft tissue filter  | Attached                                     |
| Acquisition time    | 0.2 - 2.0 sec.                               |
| Image magnification | x 1.1 (Carpal bones at x 1.01)               |
| Grayscale           | 12 bits                                      |
| Weight              | 72 kgs                                       |
| Dimensions          | W450 × D825 × H1,680 mm (Cephalometric part) |
| Power               | AC 100-240V                                  |