



Contact us

E-mail : os@rfsystemlab.com

naomi-CT (For ENT and Ophthalmology)



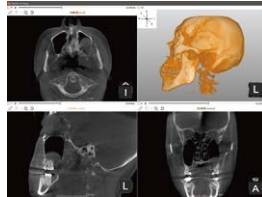
Large size

\$79,000

*One price with no discount and no bargaining (straight game)
*Shipping is not included.



CCD Panoramic



CT [Larger imaging size]

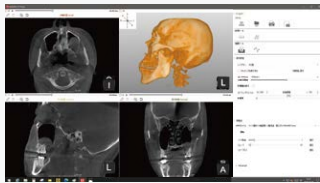
(Made in Japan)

■ Retrofit Options

You can add more features in the future, like a dental x-ray, cephalometric option, etc.



CT Viewer
忍者 NINJA



Simple process
for scans



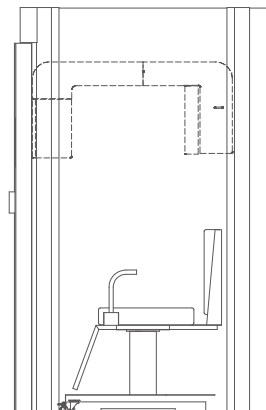
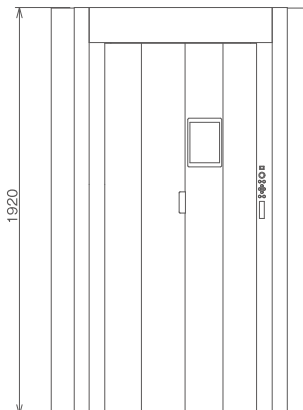
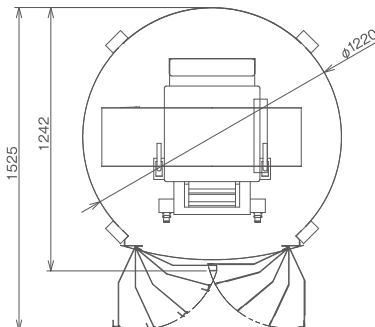
Main features of NINJA Viewer

- Length/angle measurement
- DICOM data output
- Making a CT viewer disk (For other clinic reference) ...etc

■ Drawing

naomi-CT (For ENT and Ophthalmology)

Width 1,220 × Depth 1,525 × Height 1,920 mm





Contact us

E-mail : os@rfsystemlab.com

■ Specifications

Specifications (Same for CT model & Panoramic model)	Power	AC 100V 50/60Hz	
	Consumption power	2.0 kVA	
	X-ray generator	Tube voltage	60-90 kV
		Tube current	2-10 mA
		High voltage generator	DC rectifier (Preignition system)
		Cooling	Oil and air cooling
		Focal spot	0.5 mm
		Total filtration	2.5 mm Al or higher
	Emission switch	Dead man's switch	
	Dimensions (max.)	W1,220 mm × D1,525 mm × H1,920 mm	
	Weight	230 kgs	
Usage environment	Temperature	15-35 °C	
	Humidity	30-70% (without condensation)	
	Atmospheric pressure	920-1,060 hPa	
Partial mode (Same for CT model)	F.O.V	φ57 mm x H 38-41 mm	
	Imaging area	L8-R8·L-TMJ·R-TMJ	
	Voxel size	High resolution: 0.083 mm	
	Scan time	16 sec. / 360 degrees	
Offset / Normal modes (Same for CT model)	F.O.V	Offset mode φ240 mm x H 125-175 mm	
		Normal mode φ137 mm x H 147-175 mm	
	Imaging area	L8-R8·L-TMJ·R-TMJ	
	Voxel size	Offset mode: 0.24 mm	
		Normal mode: 0.16 mm	
Scan time	16 sec. / 360 degrees		
CCD Panoramic (Same for Panoramic model)	Image acquisition time (Scan method)	Normal panoramic: 16 sec.	
		TMJ: 4 sec x 4 times	
	Image magnifications	1.2-1.3 times	
	Image size	300 mm x 146 mm	
	Resolutions	3,125 x 1521 pixels (264 dpi)	
	Pixel size	96 μm	
	Spatial resolution	5.2 lp / mm	
Grayscale	12 bits		